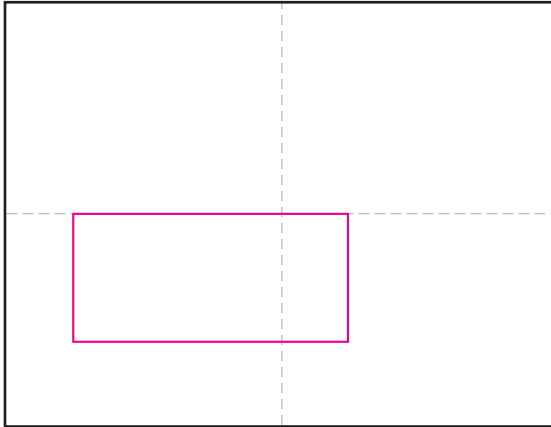
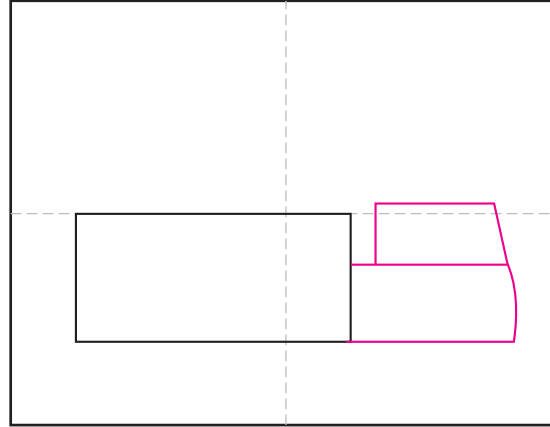


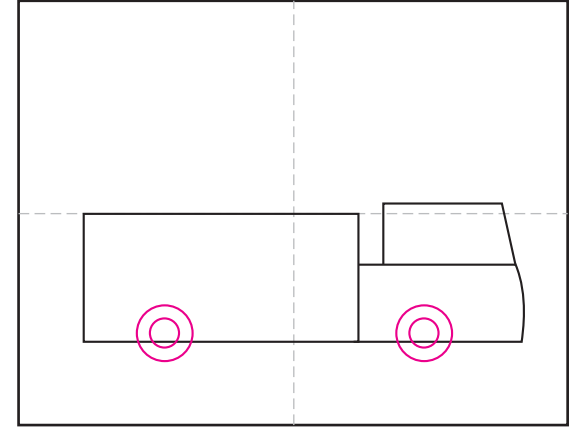
Draw a Firetruck



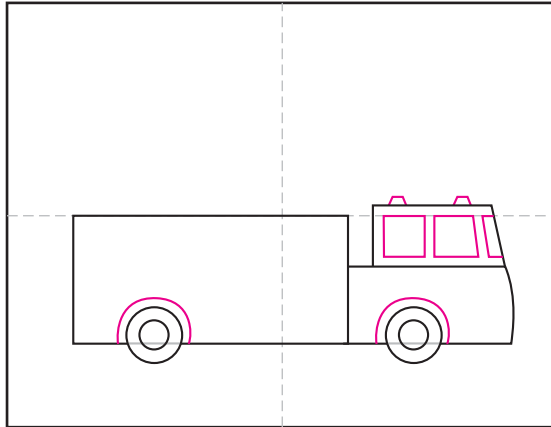
1. Draw the back of the truck as a rectangle.



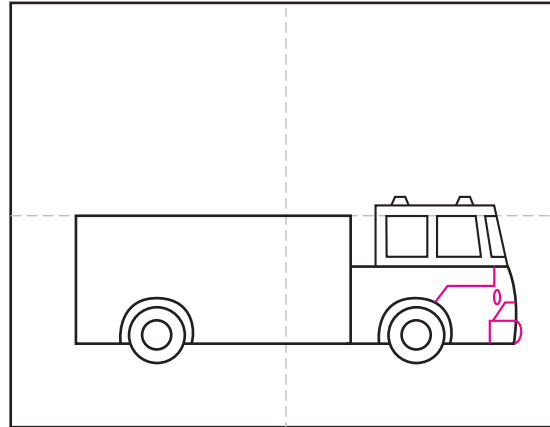
2. Add the front cab.



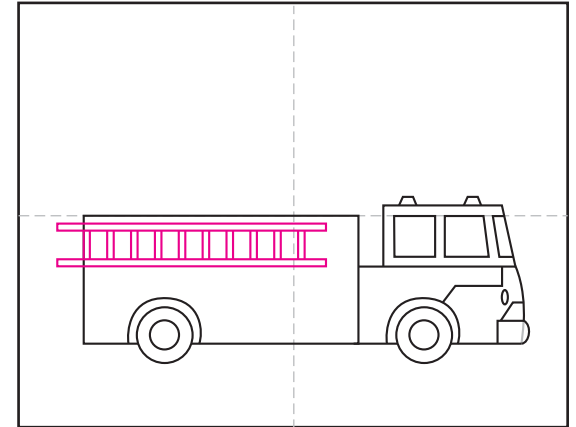
3. Draw two wheels.



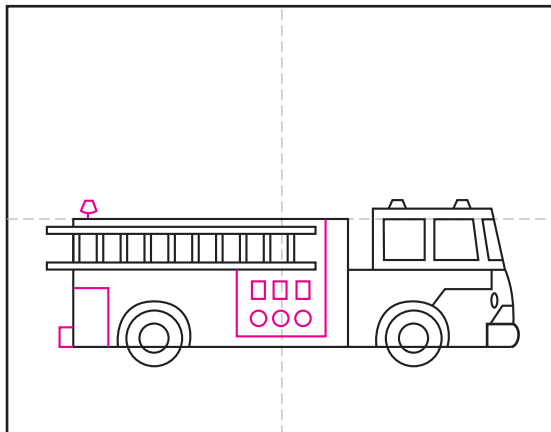
4. Add wheel rims and cab windows.



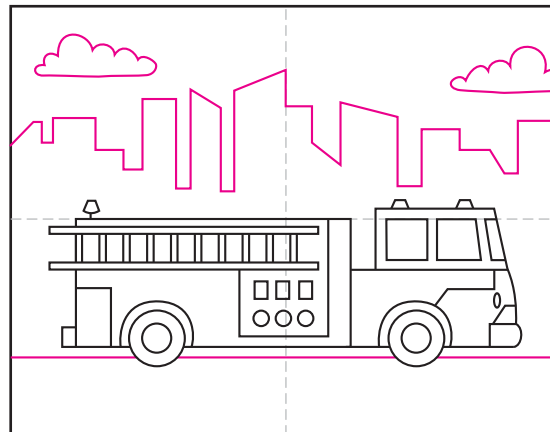
5. Draw the front cab details.



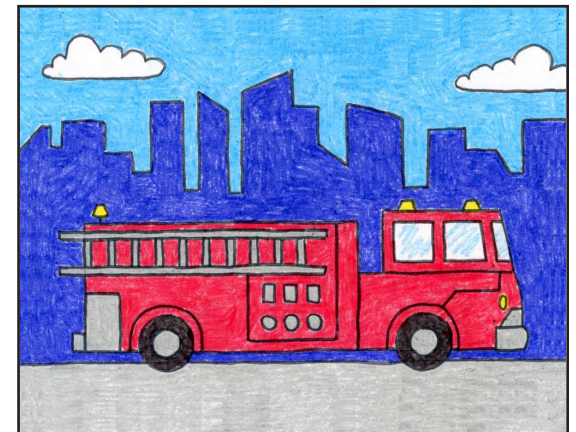
6. Add a ladder to the back.



7. Draw details to the back.



8. Add the ground, skyline and clouds.



9. Trace with a black marker and fill with color.

